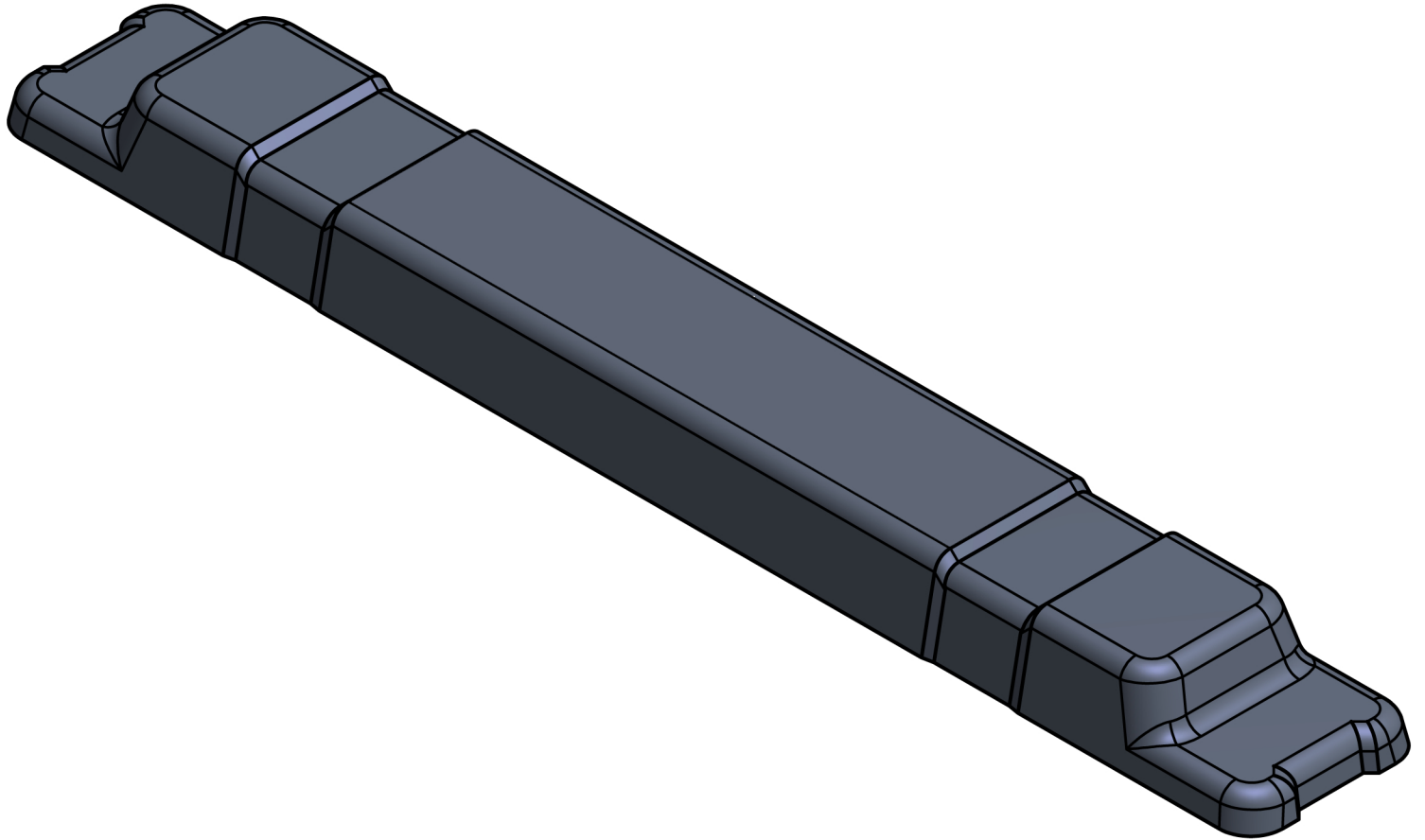


20 Lbs. INGOT



THIS DRAWING AND TECHNICAL INFORMATION
CONTAINED HEREIN ARE THE SOLE PROPERTY
OF **MARS METAL**. AND MUST NOT BE
REPRODUCED OR DISTRIBUTED WITHOUT PRIOR
WRITTEN CONSENT OF THE SAID COMPANY

REF: ME-1317