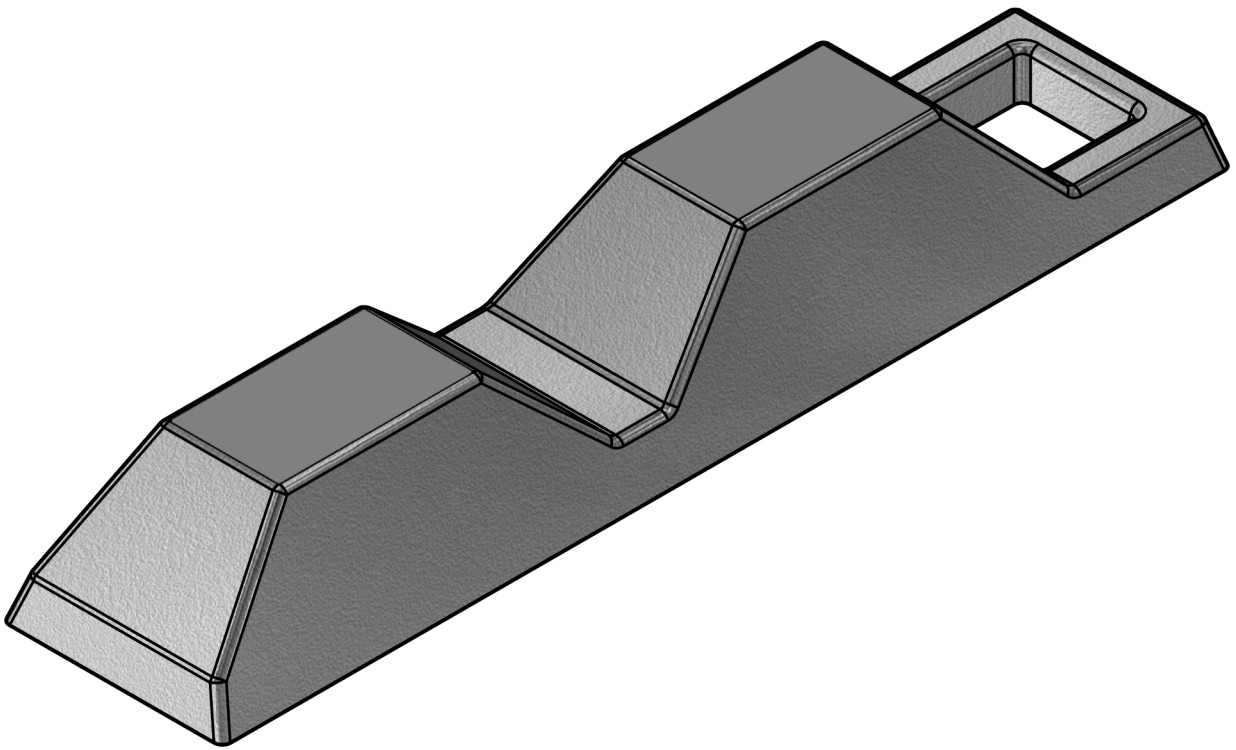


# 20Lbs. HANDY PICK INGOT



THIS DRAWING AND TECHNICAL INFORMATION  
CONTAINED HEREIN ARE THE SOLE PROPERTY  
OF **MARS METAL**. AND MUST NOT BE  
REPRODUCED OR DISTRIBUTED WITHOUT PRIOR  
WRITTEN CONSENT OF THE SAID COMPANY

**REF: ME-1833**