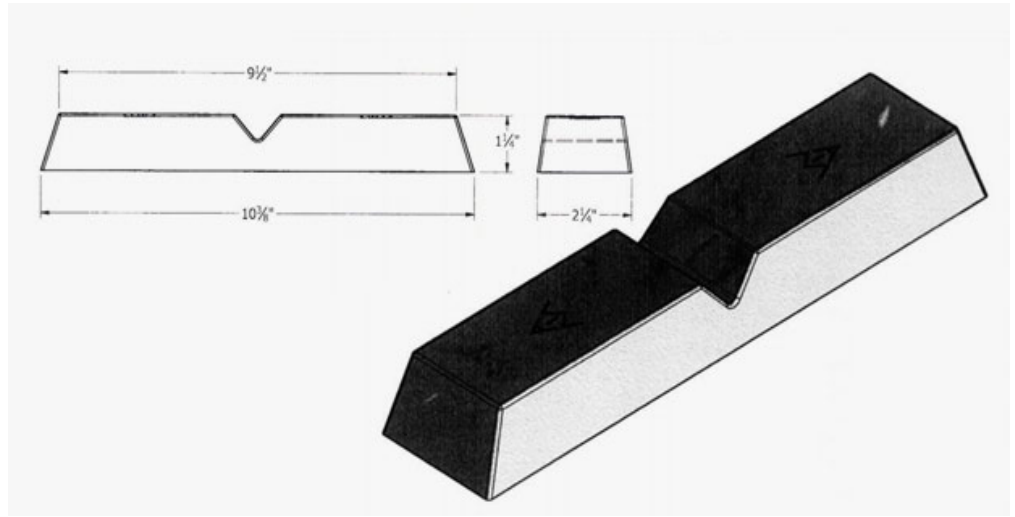


CASTING ALLOYS



Mars Metal Company, Specialty Casting Division supplies casting alloys in bar and ingot form, including leaded, lead free and silver bearing. We carry over 25 standard casting alloys in various types. We are happy to provide you with any custom alloy requirements and will set up a stock and release program for your unique alloy.

MSDS Sheets are available upon request

MARS METAL CARRIES THE FOLLOWING CASTING ALLOYS:

- Leaded
- Lead-free
- Silver Bearing
- 35Sn/3Sb/3Cd/59Pb
- 68Sn/6Sb/3Cd/23Pb
- 88.5Sn/8.5Pb/2.5Sb/0.5Cd
- 92Sn/5Pb/3Sb
- 93Sn/5Pb/1.5Sb/0.5Cd
- 97Sn/2.5Bi/0.25Ag/0.25Cu
- 97.25Sn/2.5Bi/0.25Cu
- 96Sn/2Sb/2Bi
- 97Sn/3Bi
- 97Sn/2.5Bi/0.25Cu/0.25Ag
- 98Sn/1.5Bi/0.25Cu/0.25Ag
- 98.75Sn/0.5Bi/0.25Cu/0.5Ag
- 91Sn/8Sb/1Cu
- 92Sn/6Sb/2Cu
- 94Sn/5Sb/1Cu
- 25Sn/1.5Sb/0.5Cd/73Pb
- 31Sn/1.5Sb/0.5Cd/67Pb
- 91Sn/8Sb/1Cu
- 93Sn/5Pb/2Sb
- 91.75Sn/7.75Sb/0.5Cu
- 91.75Sn/4.25Pb/4Sb
- 98Sn/1.5Bi/0.25Cu/0.25Ag
- 97.25Sn/2.5Bi/0.25Cu
- 92Sn/4Sb/4Pb
- 92Pb/6Sb/2Sn
- Bar form
- Custom alloys available
- Minimum order quantities may apply



Of Excellence

1.800.381.5335

sales@marsmetal.com

www.marsmetal.com



Scan with your mobile/smart phone barcode reader.